

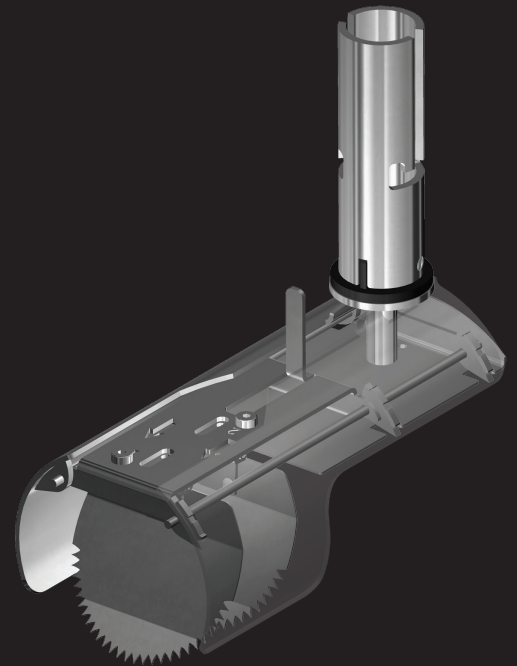
## NORDISK INNOVATION

HOME OF THE  
**RAT BLOCKER**

### Stainless Steel Rat Blocker

The Nordisk TX11 is the world leading Stainless Steel Rat Blocking device. It is robust and durable and suitable for industrial or domestic installations

Metex Part Number	Description	Suitable for pipes of internal bore (mm)
RAT 92016	Nordisk TX11 100/110mm Rat Blocker (4 inch)	Ø99mm - Ø103mm
RAT 92018	Nordisk TX11 150/160mm Rat Blocker (6 inch)	Ø147mm - Ø151mm
RAT 92025	Nordisk TX11 225mm Rat Blocker (9 inch)	Ø217m - Ø222mm
RAT 92035	Nordisk TX11 300mm Rat Blocker (12inch)	Ø296m - Ø302mm
RAT 90801	Nordisk Installation Pole 1m	
RAT 90802	Nordisk Installation Pole Extension 1m	



#### Material

Acid resistance stainless steel AISI 316

#### Application:

The Nordisk TX11 Rat Blocker is to be installed within drainage inspection chambers. The device is configurable for installation into the inlet or outlet position.

#### Security:

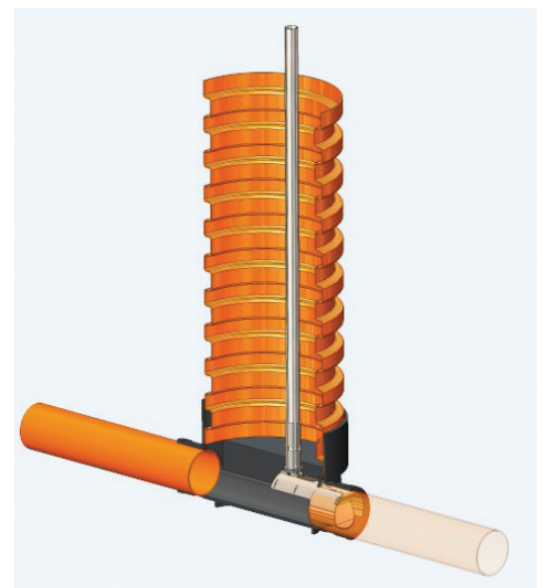
The Nordisk TX11 Rat Blocker has a unique expandable design which ensures the unit is securely located into the drainage line. The TX11 cannot become dislodged and lost into the drainage line due to mounting mechanism.

#### Installation:

The Nordisk TX11 Rat Blocker can be installed simply from street leveling using the installation pole. Its expandable design ensures that the units enters the pipe in clearance before being secured in place. Refer to installation instructions for further details.

#### Maintenance:

The Nordisk TX11 Rat Blocker is largely maintenance free, however it must be periodically checked in accordance with the installation instructions. The Rat Blocker must be removed before and replaced after any drainage maintenance work.



#### Flow restriction:

The Nordisk TX 11 Rat Blocker has an open lower section so as to prevent flow restriction. As part of the VA approval process it passed flow tests at the Danish Technological Institution.

MD066 Rev1